

# PRODUCT DATA SHEET

*Burlington*<sup>®</sup>



## PRODUCT CODE

AF3S BNKL

## RANGE

Avon


## DESCRIPTION

Avon Exposed Shower Valve 2 Outlet  
Brushed Nickel

CATEGORY	Brassware
WARRANTY DETAILS	15 Years
COLOUR	Brushed Nickel
FINISH APPLICATION	PVD
PRIMARY MATERIAL	Brass
INSTALL TYPE	Wall Mounted
PRODUCT WIDTH MM	196
PRODUCT HEIGHT MM	366
PRODUCT DEPTH MM	169
PRODUCT NET WEIGHT KG	4.8
STANDARDS	BS EN 1111:2017

MINIMUM PRESSURE (BAR)	0.5
MAX WORKING PRESSURE (BAR)	5
NUMBER OF OUTLETS	2
HEADWORK	35mm Vernet CA43
INLET CONNECTIONS THREAD	G1/2"
OUTLET CONNECTIONS THREAD	G1/2"
WASTE INCLUDED	No
ANTI-SCALD	Yes
ENERGY SAVING	No
SHOWER HOSE & HANDSET ARE INCLUDED	Yes

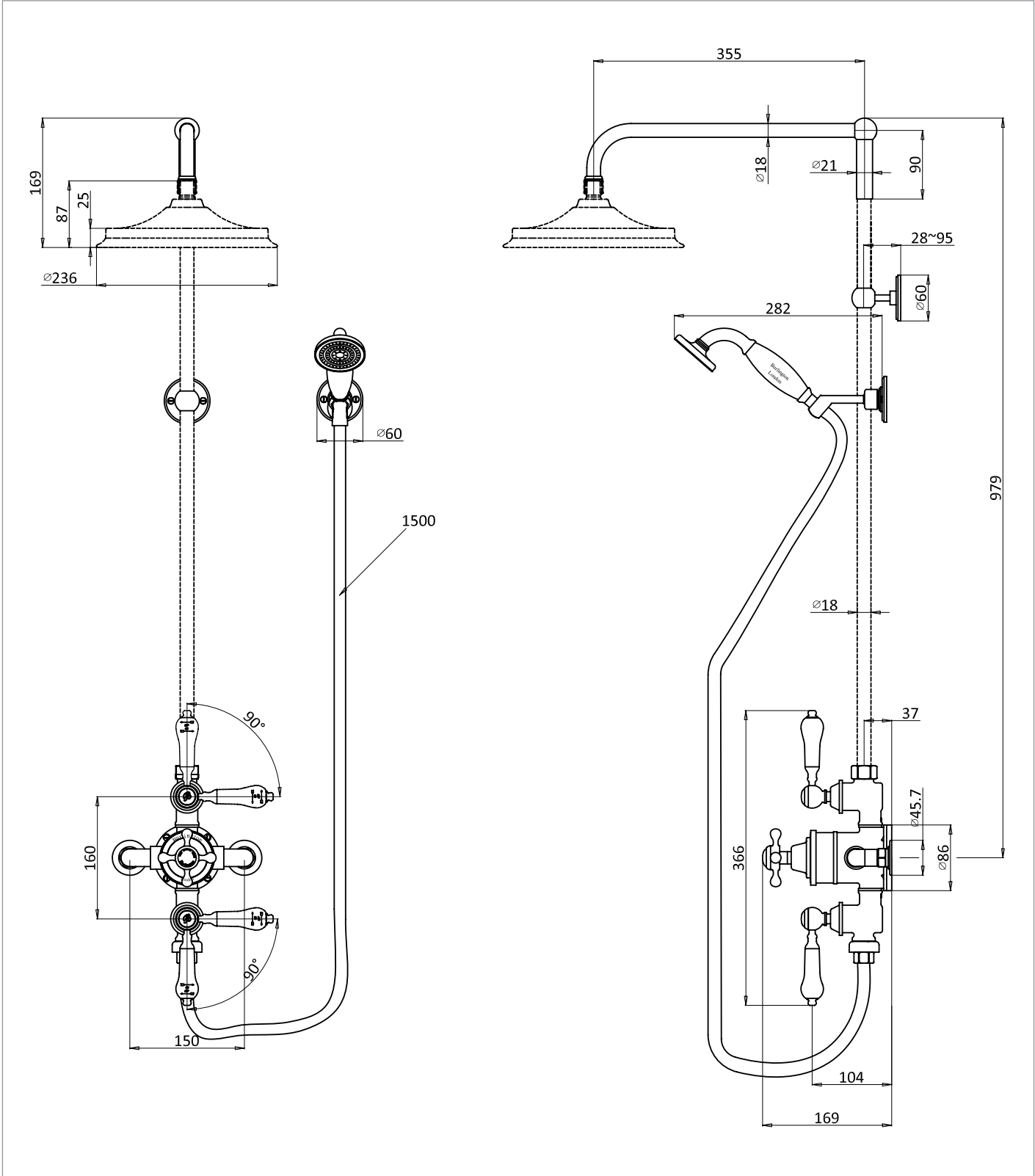
PRESSURE (BAR)	0.2	0.5	1	2	3	4	5
PRIMARY FLOWRATE	3.64	4.15	7	10.46	13.04		
HANDSET FLOWRATE	3.13	5.92	8.06	11.55	14.6		
MESSAGE FLOW RATE							
AIR FLOW RATE							
WIRE FLOW RATE							
WATERFALL FLOW RATE							
MIST FLOW RATE							
HANDSPRAY FLOW RATE							

 Part of the Bathroom Brands Group

## TECHNICAL DIMENSIONS

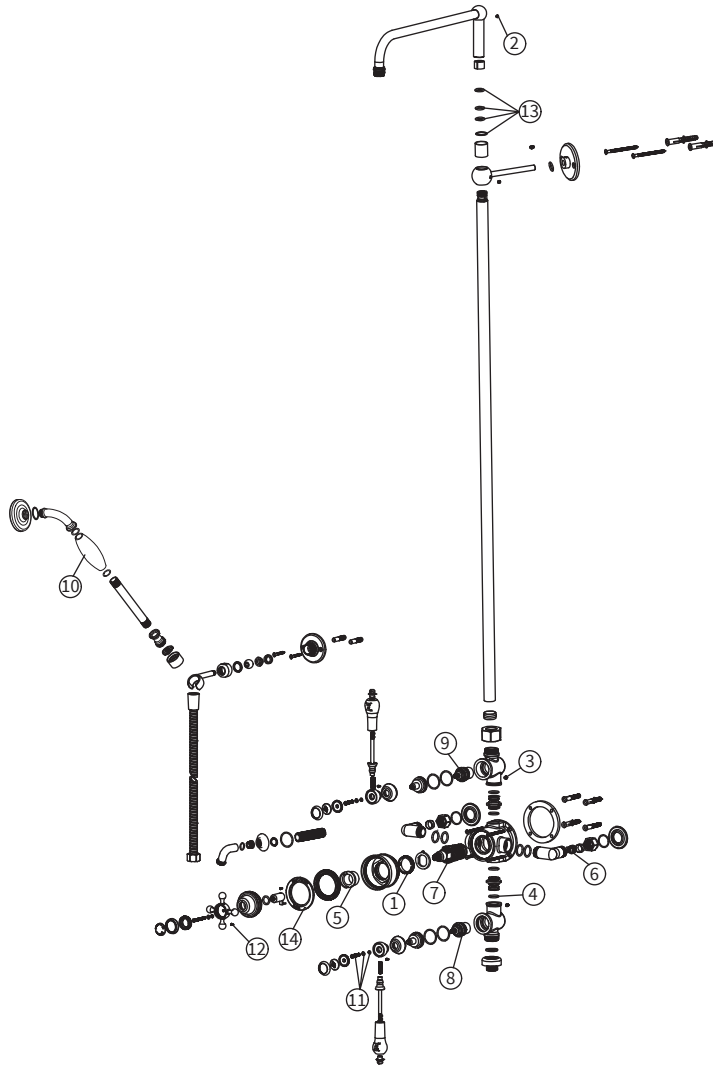
Dimensions in mm unless otherwise specified.

Tolerances (per material type) apply.



## SPARES LIST

Only the parts labelled are available as spares.



NUMBER	PART CODE	DESCRIPTION
1	SP1385	Retaining nut
2	SP601	Small grub screw (M4x4)
3	SP603	Grub screw (M5x5)
4	SP1293	Washer
5	SP1310	Plastic block
6	SP1664	Check valve
7	SP32	Vernet T1 temperature control cartridge
8	SP36	Hent F6 flow control cartridge
9	SP37	Hent F5 flow control cartridge
10	SP1209	Ceramic handle for Burlington telephone handset
11	SP1692	Fixing screw sets (including flat washer and spring washer)
12	SP599	Grub screw (M4x4)
13	SP806	3x rubber o rings and 1x plastic washer
14	SP108	Ceramic ring